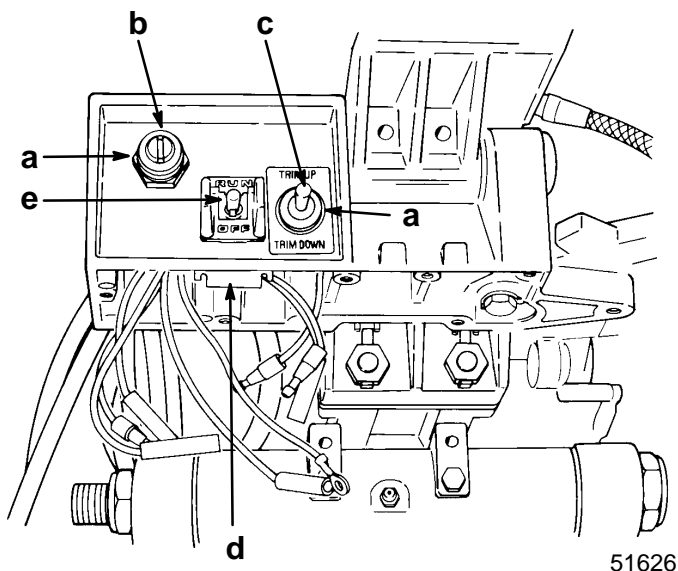




- Remove nuts securing key switch and trim switch to tiller handle bracket.

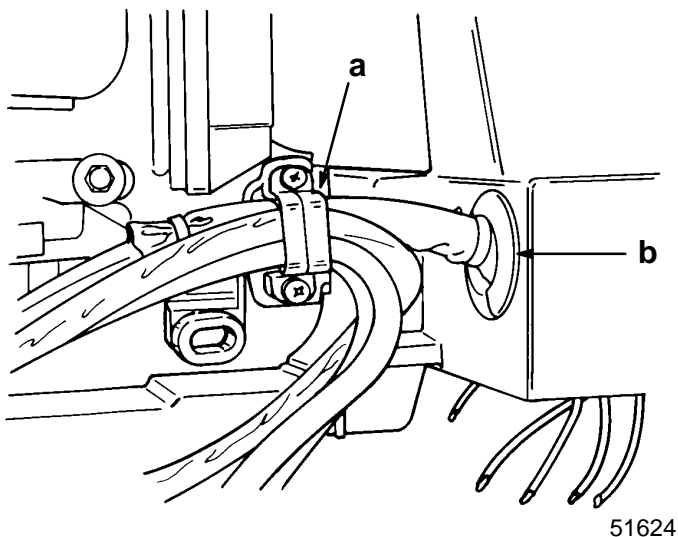
Remove clip securing lanyard stop switch and remove switch from bracket.



- a - Nuts
- b - Key Switch
- c - Trim Switch
- d - Clip
- e - Lanyard Stop Switch

- Remove harness retainer from outboard.

Remove grommet from tiller bracket.

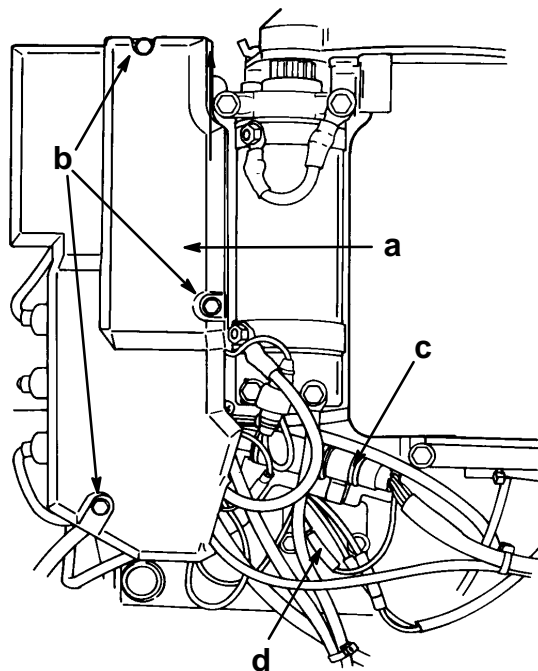


- a - Harness Retainer
- b - Grommet

- Remove electrical panel access cover.

Disconnect switch harness from engine harness plug.

Disconnect PURPLE bullet connector.



- a - Access Cover
- b - Bolts
- c - Switch Harness
- d - PURPLE Lead