

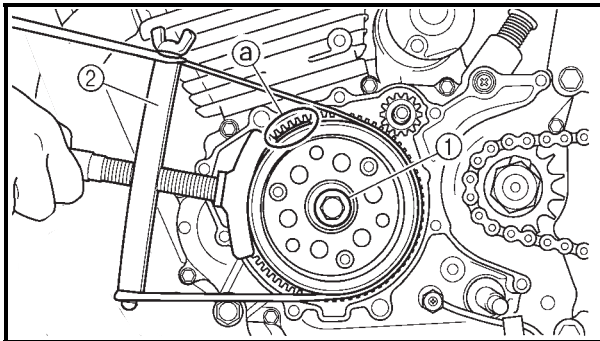
INSTALLING THE PICKUP COIL ROTOR

1. Install:
 - Washer ①
 - Bearing ②
 - Starter wheel gear ③
 - Starter idle gear 2 ④

2. Install:
 - Woodruff key ①
 - Pickup coil rotor ②
 - Washer ③
 - Pickup coil rotor bolt ④

NOTE: _____

- Clean the tapered portion of the crankshaft and the rotor hub.
- When installing the rotor, make sure the woodruff key is properly seated in the key way of the crankshaft.



3. Tighten:
 - Pickup coil rotor bolt ①

	<p>Pickup coil rotor bolt 60 Nm (6.0 m•kg, 44 ft•lb)</p>
--	---

NOTE: _____

- Tighten the pickup coil rotor bolt ① while holding the rotor with a sheave holder ②.
- Do not allow the sheave holder to touch the projection on the rotor ①a.

	<p>Sheave holder 90890-01701 Primary clutch holder YS-01880-A</p>
--	--