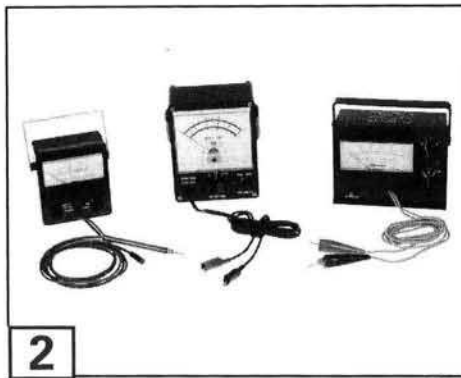
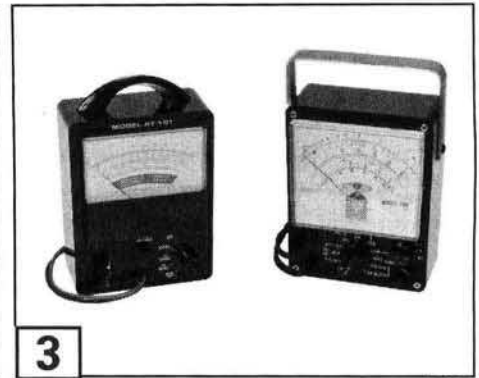


1942



2804



16489

## Troubleshooting Test Equipment

**Note** The following equipment is available from various manufacturers to support your ignition and electrical system troubleshooting. Manufacturer ordering addresses are on the rear inside cover of this manual.

- 1** Spark testers:
- Stevens No. S21, S13C, or S48
  - Merc-O-Tronic No. 55-4S or 55-6S

- 2** Peak-reading voltmeters:
- Merc-O-Tronic No. 781
  - Stevens No. CD-77
  - Electro-Specialties No. PRV-1

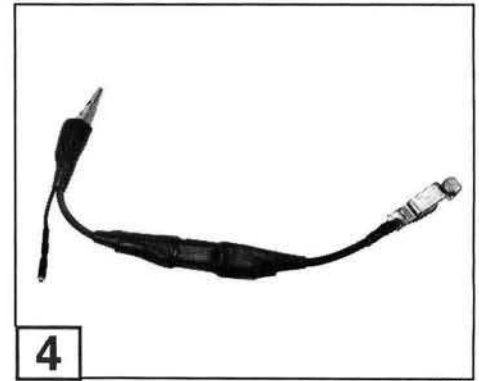
- 3** Ohmmeter capable of reading low and high ranges:
- Merc-O-Tronic No. 700 VOA
  - Stevens No. AT-101

**Note** Component temperature can affect resistance values at a rate of 10 ohms per 1° F. All resistance values listed in this manual are correct at (70° F or 21° C).

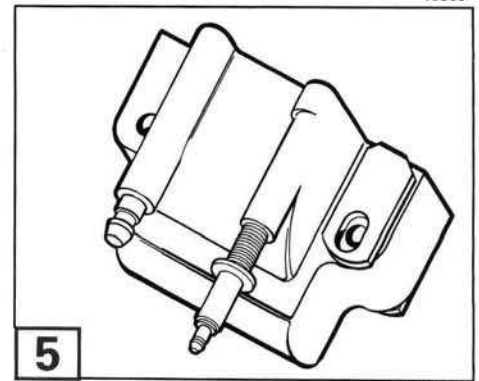
- 4** Ignition module load adapter:
- Stevens No. PL-88

- 5** Ignition coil terminal extenders:
- Stevens No. TS-77

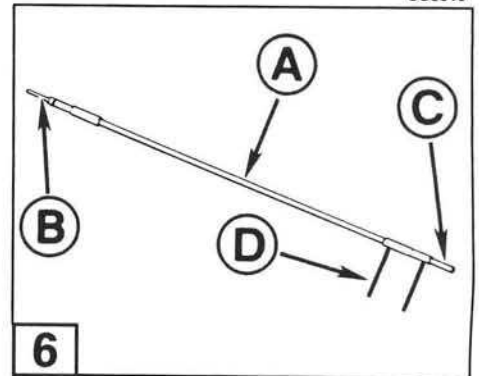
- 6** Jumper wire for *Amphenol* connectors. Can be made with:
- (A) No. 16 wire, 8 in. (200 mm)
  - (B) Pin, OMC P/N 511469
  - (C) Socket, OMC P/N 581656
  - (D) Shrink tube, OMC P/N 510628



16305



C03010



73158